

## RF RGB controller

HB-PAN 70W / HB-PAN 70B / HB-PAN 80B



HB-PAN 70W / HB-PAN 70B



HB-PAN 80B



### Feature

HB-PAN 70W/70B & HB-PAN 80B are RF controllers for RGB color lighting. Each white can achieve 256 levels brightness adjustment. Key part can be uninstal every easily to change battery and frames from other factory. Receivers work with WIFI-RF convertor to be controlled by smart phone.

### Parameter

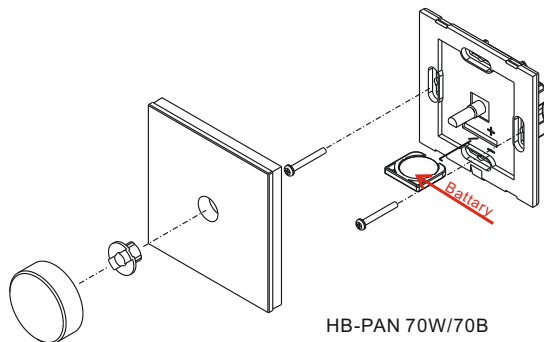
#### Remote

Part No.	Operation Voltage	Operation Frequency	Remarks
HB-PAN 70W/70B	3VDC	434MHz/868MHz	RF Wireless
HB-PAN 80B	3VDC	434MHz/868MHz	RF Wireless

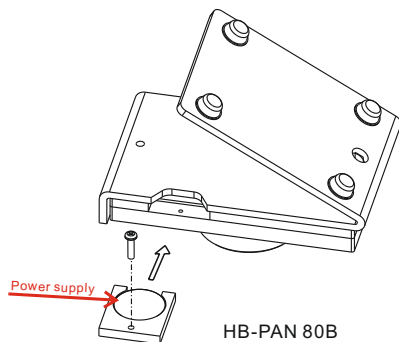
#### Receiver

Part No.	Input Voltage	Current	Output	Remarks
HB-REC 10U	12-36VDC	4x5A	4x(60-180)W	Constant voltage
HB-REC 20U	12-36VDC	4x8A	4x(96-288)W	Constant voltage
HB-REC 30I	12-36VDC	4x350mA	4x(4.2-12.6)W	Constant current
HB-REC 40I	12-36VDC	4x700mA	4x(8.4-25.2)W	Constant current

### Installation



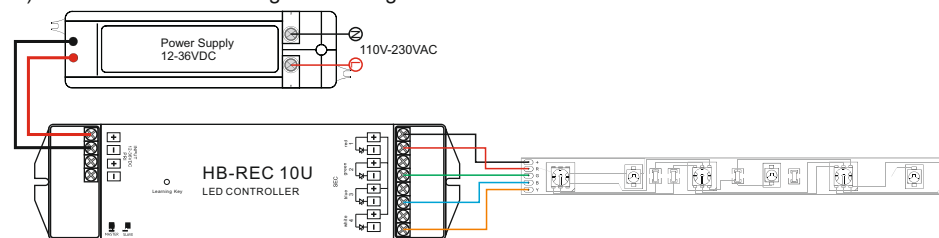
HB-PAN 70W/70B



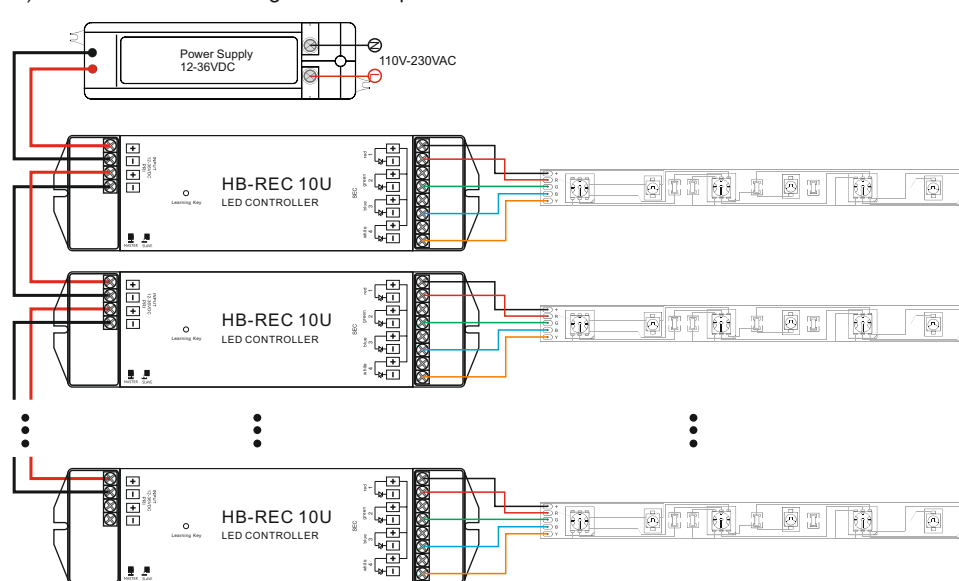
HB-PAN 80B

### Wiring diagram

#### 1)Receiver Connection Diagram for Single Unit



#### 2)Receiver Connection Diagram for Multiple Units



### Operation

#### a. Learning

Press shortly the learning Key ● on the receiver, then push the rotary button .Once successfully learn, the LED lights will blink on the receiver. Do the same for the other receivers if you use them, you can add as many optional receivers as you want

#### b. Operation

- Short push rotary button to switch ON/OFF
- Adjust dim brightness by the rotary button from left to right 1-100%
- Adjust dim brightness by the rotary button from right to left 100-1%
- Long press rotary button, the light will be 100% brightness
- Double click rotary button, it will change color of RGB light. Double click again, will enter into dimming brightness mode

### Safety & Warnings

- 1) The product shall be installed and serviced by a qualified person.
- 2) IP20.Please avoid the sun and rain. When installed outdoors, please ensure it is mounted in a water proof enclosure.
- 3) Always be sure to mount this unit in an area with proper ventilation to avoid overheating.
- 4) Please check if the output voltage of any LED power supplies used comply with the working voltage of the product

5) Never connect any cables while power is on and always assure correct connections to avoid short circuits before switching on.

6) Please ensure that the cable is secured tightly in the connector

7) For update information please consult your supplier.

## Warranty Agreement

1) We provide lifelong technical assistance with this product:

- 5-year warranty. We print date on every products, for example :1125 means year 2011, week 25. The warranty is for free repair or replacement and covers manufacturing faults only.

- For faults beyond the 3-year warranty we reserve the right to charge for time and parts.

2) Limited Warrenty

- Any defects caused by wrong operation.

- Any damages caused by unauthorized removal, maintenance, modifying, incorrect connection and replacement of chips.

- Any damages due to transportation, vibration etc. after purchase.

- Any damages caused by earthquake, fire, lightning, pollution and abnormal voltage.

- Any damages caused by negligence, inappropriate storing at high temperatures and humidity or near harmful chemicals.

- Product has been updated

3) Repair or replacement as provided under this warranty is the exclusive remedy to the customer.