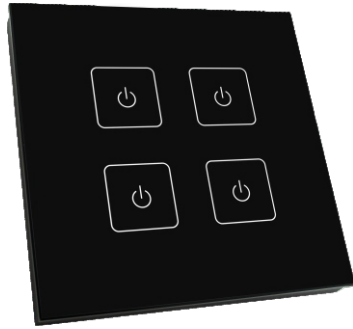


4 zone RF wireless wall mounted touch dimmer remote

HB-PAN 20W / HB-PAN 20B



- 4 zones
- Touch sensitive
- Glass interface
- Back lighting for finding in the dark



Feature

HB-PAN 20W / 20B is the newest RF&WIFI Single Color Controller with back lighting for finding in the dark. Which can control four zones separately, each zone can be set endless receivers, each receiver maximally be controlled by 8 different senders. Receivers can work with RF-WIFI converter installing software on IOS and Android system.

Parameter

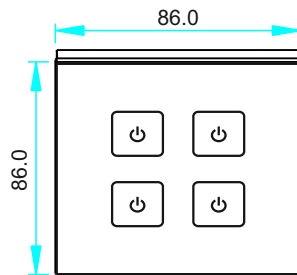
Remote

Part No.	Operation Voltage	Output	RF Frequency	Control distance
HB-PAN 20W / 20B	110-240VAC	RF Wireless Signal	434MHz/868MHz	About 30m

Receiver

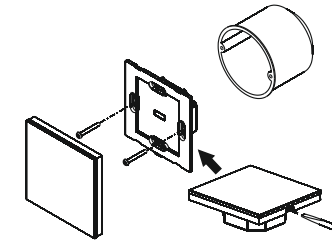
Part No.	Input Voltage	Current	Output	Remarks
HB-REC 10U	12-36VDC	4x5A	4x(60-180)W	Constant voltage
HB-REC 20U	12-36VDC	4x8A	4x(96-288)W	Constant voltage
HB-REC 30I	12-36VDC	4x350mA	4x(4.2-12.6)W	Constant current
HB-REC 40I	12-36VDC	4x700mA	4x(8.4-25.2)W	Constant current

Product Size



HB-PAN 20W / 20B

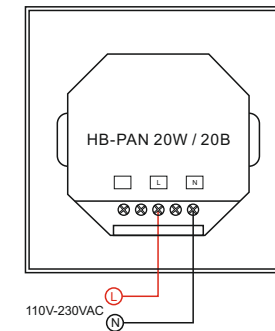
Installation



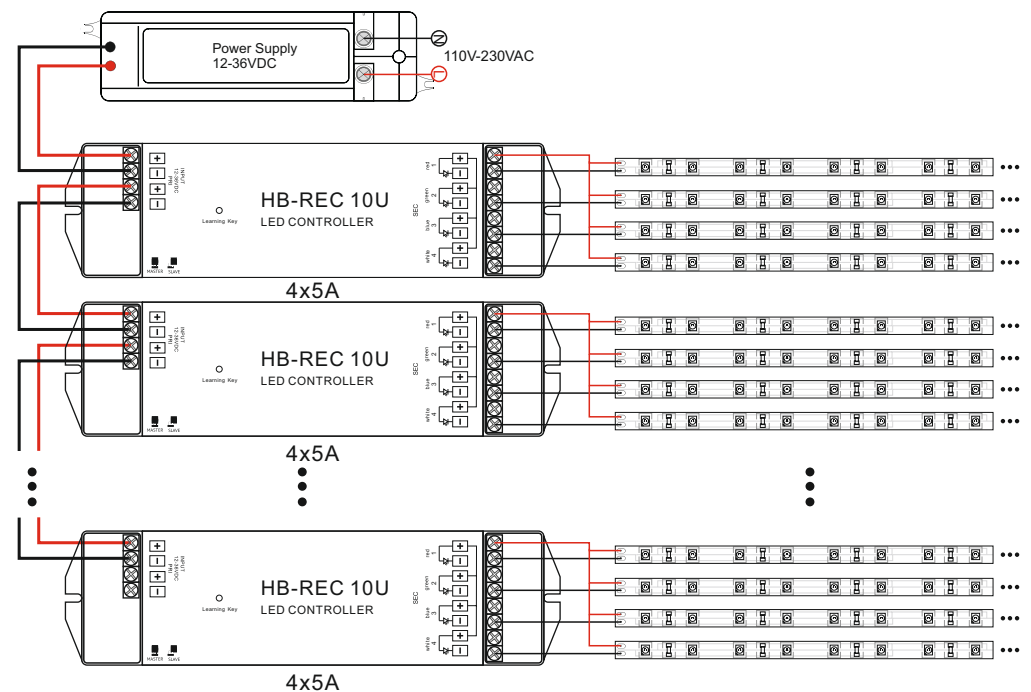
HB-PAN 20W / 20B

Wiring diagram

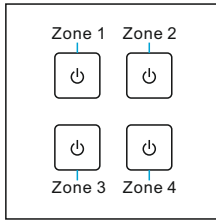
1) Sender Connection Diagram



2) Receiver Connection Diagram



Operation



User manual when work with HB-REC 10U / 20U / 30I / 40I for single color:

1. Pairing with remote: connect well receiver, short press learning key on receiver, then immediately touch any of ϕ , to assign the receiver in any of the zone you want, the led light will flash, means well paired.

You can pair endless of receivers to any of the zones you want.

2. Short touch ϕ to turn ON/OFF the light, long touch it to dim up brightness, long touch it again to dim down, long touch it again to dim up, so it's a up-down-up-down circulation.

3. If you want delete the receiver's learning data, just long press for 5 seconds the learning key on receiver, the receiver will be deleted the learning, be set as factory defaults.

Safety & Warnings

- 1) The product shall be installed and serviced by a qualified person.
- 2) IP20. Please avoid the sun and rain. When installed outdoors, please ensure it is mounted in a water proof enclosure.
- 3) Always be sure to mount this unit in an area with proper ventilation to avoid overheating.
- 4) Please check if the output voltage of any LED power supplies used comply with the working voltage of the product.
- 5) Never connect any cables while power is on and always assure correct connections to avoid short circuits before switching on.
- 6) Please ensure that the cable is secured tightly in the connector
- 7) For update information please consult your supplier.

Warranty Agreement

- 1) We provide lifelong technical assistance with this product:
 - 3-year warranty. We print date on every products, for example : 1125 means year 2011, week 25. The warranty is for free repair or replacement and covers manufacturing faults only.
 - For faults beyond the 3-year warranty we reserve the right to charge for time and parts.
- 2) Limited Warranty
 - Any defects caused by wrong operation.
 - Any damages caused by unauthorized removal, maintenance, modifying, incorrect connection and replacement of chips.
 - Any damages due to transportation, vibration etc. after purchase.
 - Any damages caused by earthquake, fire, lightning, pollution and abnormal voltage.
 - Any damages caused by negligence, inappropriate storing at high temperatures and humidity or near harmful chemicals.
 - Product has been updated
- 3) Repair or replacement as provided under this warranty is the exclusive remedy to the customer.